

# WIRELESS NETWORK RANGE EXTENDER

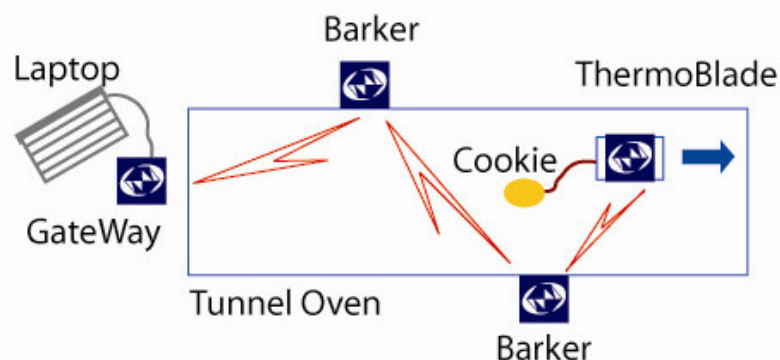
## *The Barker™*

- Network data transceiver / repeater
- Relays information to & from interior of process equipment
- Manages communications for up to 50 measurement devices
- ISM Band (868/915 MHz)  
(FCC/IC certified with no license required)
- Transmits up to 30m (100´)\*  
(\* under optimal environmental conditions)
- Powered by two AA batteries



**Barker™** is a wireless network range extender / repeater. It is specially designed to relay network information to and from the interior of process lines and equipment where radio transmission can be difficult.

To relay network information from inside process equipment, the Barker has a temperature resistant antenna that is placed in the process environment. Typically, the Barker is temporarily mounted near an observation port using its magnetic base and the temperature resistant antenna placed in the process environment. The Barker then receives data from inside the process equipment and relays it onto the wireless network using a second, built-in antenna.



With true "plug & play" simplicity the Barker communicates with wireless measurement devices in the process environment as they report data in REAL TIME. The bright visual status indicator facilitates test monitoring when you are away from your computer. Barker has been designed to work exclusively with DataLink™ to give you the most convenient and powerful wireless data acquisition system available.



### **Wireless Interface-**

The Barker wireless network interface is a radio frequency transceiver operating in the ISM band (868/915 MHz). The Barker is FCC and IC certified and requires no end user license. All wireless products from Magna Systems are designed for operation with the Barker.

### **Software Support-**

Software support for the Barker is provided by DataLink™ - Lab Plus Version. DataLink is a powerful Windows®-based integrated data acquisition and display environment. DataLink™ software enables all test, measurement, display, charting and diagnostic functions. DataLink™ provides ease of use, confirmation of proper test functionality and ensures data reliability. Data post-processing is easily achieved using other familiar Windows® products (e.g., MS Excel®).

## **Barker Specifications**

### **Network Functionality**

**Number of Modules:** up to 50

### **Wireless Network Interface**

**Half duplex communication**

#### **Radio characteristics:**

868 / 915 MHz ISM band radio  
+5 dBm maximum TX power  
RX sensitivity better than -100 dBm

**Range:** Up to 30 m (100') under optimal environmental conditions

† Changes or modifications to the GateWay not approved by Magna Systems may void the user's authority to operate the equipment.

### **Additional Required Equipment**

The Barker requires the use of:

- 1) GateWay™, wireless network access point
- 2) DataLink™ - Lab Plus, data acquisition & display software
- 3) one or more measurement modules such as the ThermoBiscuit™, a wireless 8-channel thermocouple monitor for extreme temperature environments or the ThermoBlade™, low profile wireless thermocouple monitor for extreme temperature environments

### **General Specifications**

#### **Operating Environment:**

0 to 80°C (32 to 176°F)

5 to 95% RH non-condensing

**Vibration:** 10 g (rms 20 Hz to 2000 Hz)

**Shock:** 3 foot drop

**Power:** two AA-style batteries

**Time Accuracy:** ± 1 min / month

**Storage Temperature Range:** -40 to 120 °C

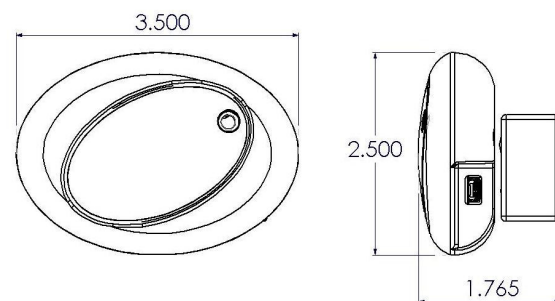
#### **Weight:**

Barker only: 75 gm  
(2.65 oz)

Barker with batteries: 125 gm  
(4.41 oz)

**Enclosure:** Flame Retardant ABS plastic  
(UL flame rating of 94-V0)

#### **Dimensions:**



All dimensions in inches

**For more information or to order contact us at 1-888-9 MAGNA 9 (962-4629).**



**www.magnasystems.net**  
**+1 650 917 5900**